



Sink - CL.1

Single-lever lavatory mixer with extended shank without drain - polished chrome

Article number: 33 534 705-00 0010

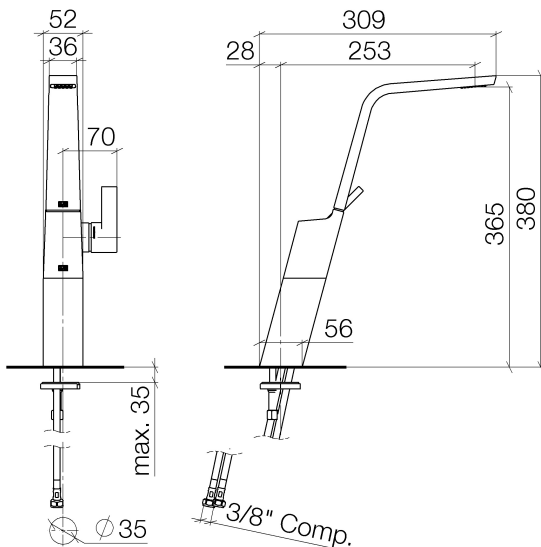


- 10" Projection
- Rigid spout
- Rectangular aerator with 40 individual streams
- Total height 15"
- Height to aerator/spout outlet 14-3/8"
- 1-3/8" hole diameter
- Water flow rate limited to max. 1.1 gpm
- 2 x pressure hose with 3/8" compression fitting
- lead-free
- (ADA)
- For combination with vessel sinks.



polished chrome

Dimensional drawing



All dimensions in mm / inch = mm x 0,0394

Model/program/technical modifications and error excepted
For more information see: www.dornbracht.com + 49 (0) 2371 433-460 mail@dornbrachtgroup.de

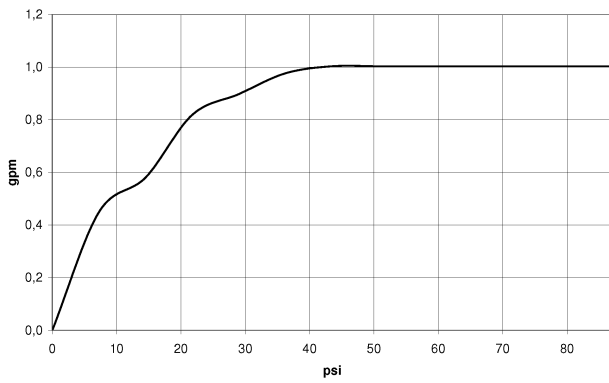


Sink - CL.1

Single-lever lavatory mixer with extended shank without drain - polished chrome

Article number: 33 534 705-00 0010

Flow rate chart





Sink - CL.1

Single-lever lavatory mixer with extended shank without drain - polished chrome

Article number: 33 534 705-00 0010

Other surface finishes



platinum matte

33 534 705-06 0010

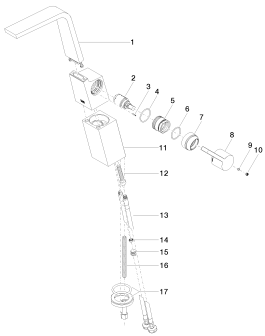


Dark Platinum matte

33 534 705-99 0010

More custom finish options are available via special production (xTra Service). Please see our finish matrix for availability and pricing or contact a Dornbracht representative.

Spare parts list



Number	Item Number	Designation	Number of units
--------	-------------	-------------	-----------------